

DIMENSIONS UNIT: mm

SIZE	d	D	L	MASS (Kg)	Q'ty
2	60	109	54	1.7	
2½	73	129	54	2.5	
3	89	144	57	3	
4	114	164	64	4.5	
5	141	194	70	6	

*1: SEAT ... NBR

124	SPRING	STAINLESS STEEL	
85	PLUG	CARBON STEEL	
75	EYE BOLT	CARBON STEEL	
58B	SPRING WASHER	PTFE	
58A	PLATE WASHER	PTFE	
47	BODY WASHER	PTFE	
17B	STOP PIN	STAINLESS STEEL	
17A	HINGE PIN	STAINLESS STEEL	
4	DISC	CAST BRONZE	B584-C83600
1	BODY	CAST IRON	A126-B *1
No.	PART	MATERIAL (ASTM)	

FACE TO FACE OR END TO END
API 594

END CONNECTION
BS EN 1092-2 PN16

WALL THICKNESS
MAKER'S STANDARD

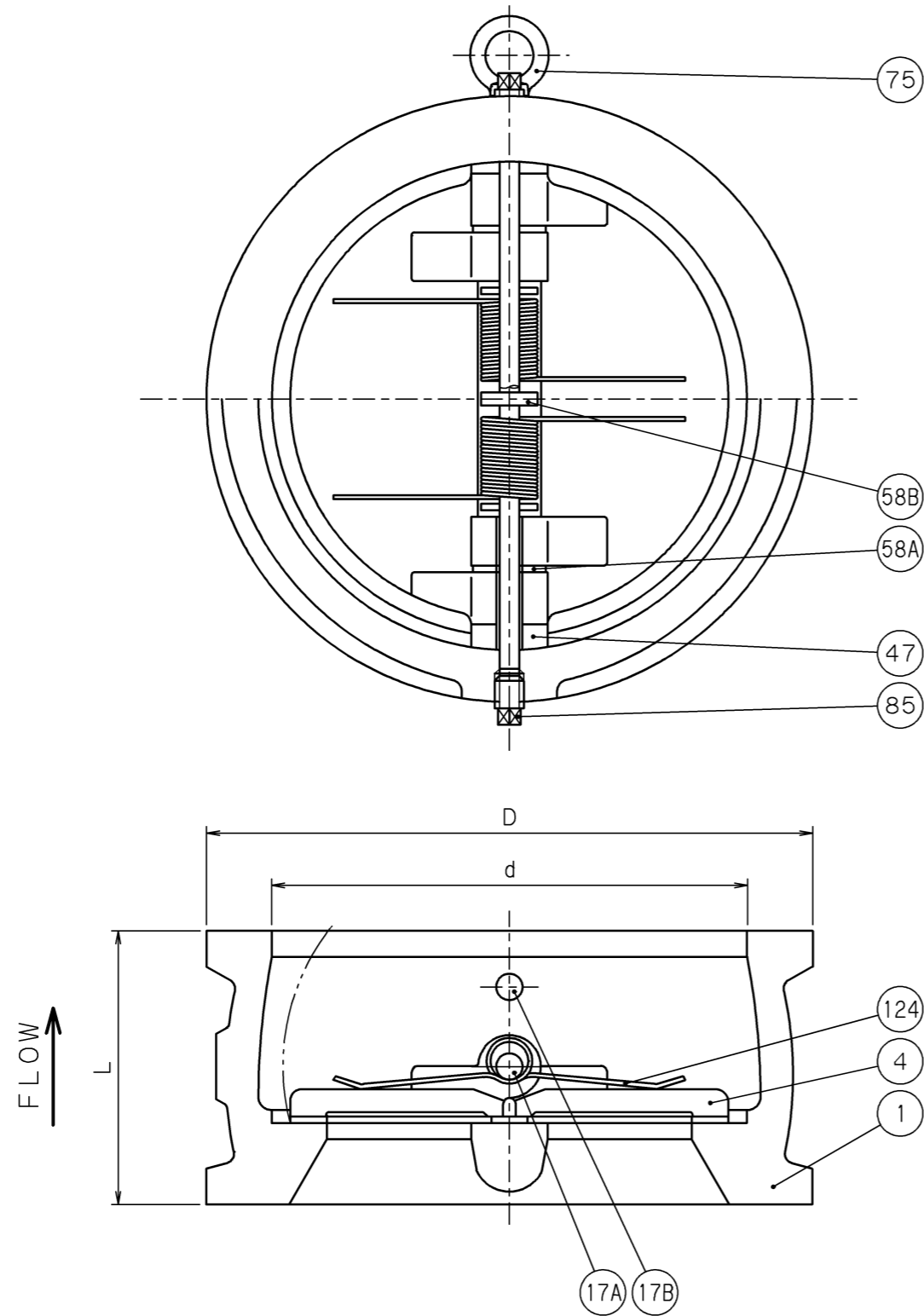
PRESSURE TEST
MAKER'S STANDARD

PN16
GRAY CAST IRON
WING CHECK VALVE
《DUAL PLATE WAFER TYPE》
RUBBER SEAT

APP'D	K.Kobayashi	FIGURE	PRODUCT CODE		
CHK'D	H.Fuseya	E16-FNW	443B		
CHK'D	M.Mochizuki	N/BY			
PREP'D	K.Kohama	DRAWING No.	△		
DATE	JUL.31.'15	E1312S032 △	MARK	DATE	BY



Toyo Valve Co., Ltd.



DIMENSIONS UNIT : mm

SIZE	d	D	L	MASS (Kg)	Q'ty
6	168	220	76	9	
8	219	275	95	19	
10	273	331	108	31	
12	324	386	143	52	
14	356	446	184	73	
16	406	498	191	104	
18	457	558	203	120	

*1: SEAT ... NBR

124	SPRING	STAINLESS STEEL	
85	PLUG	CARBON STEEL	
75	EYE BOLT	CARBON STEEL	
58B	SPRING WASHER	PTFE	
58A	PLATE WASHER	PTFE	
47	BODY WASHER	PTFE	
17B	STOP PIN	STAINLESS STEEL	
17A	HINGE PIN	STAINLESS STEEL	
4	DISC	CAST BRONZE	B584-C83600
1	BODY	CAST IRON	A126-B *1
No.	PART	MATERIAL (ASTM)	

FACE TO FACE OR END TO END
API 594

END CONNECTION
BS EN 1092-2 PN16

WALL THICKNESS
MAKER'S STANDARD

PRESSURE TEST
MAKER'S STANDARD

PN16
GRAY CAST IRON
WING CHECK VALVE
《DUAL PLATE WAFER TYPE》
RUBBER SEAT

APP'D	K.Kobayashi	FIGURE	PRODUCT CODE		
CHK'D	H.Fuseya	E16-FNW	443B		
CHK'D	M.Mochizuki	N/BY			
PREP'D	K.Kohama	DRAWING No.	△		
DATE	JUL.31.'15	E1312S026 △	MARK	DATE	BY

Toyo Valve Co., Ltd.